



LEFROY BROOKS

IBROC HOUSE ESSEX ROAD
HODDESDON HERTS EN11 0QS UK
T: +44 (0)1992 708 316 F: +44 (0)1992 708 317

XO-5400

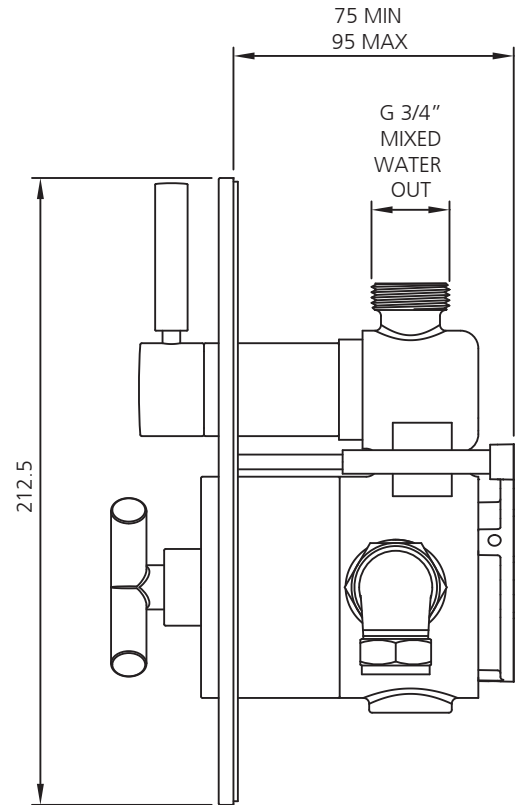
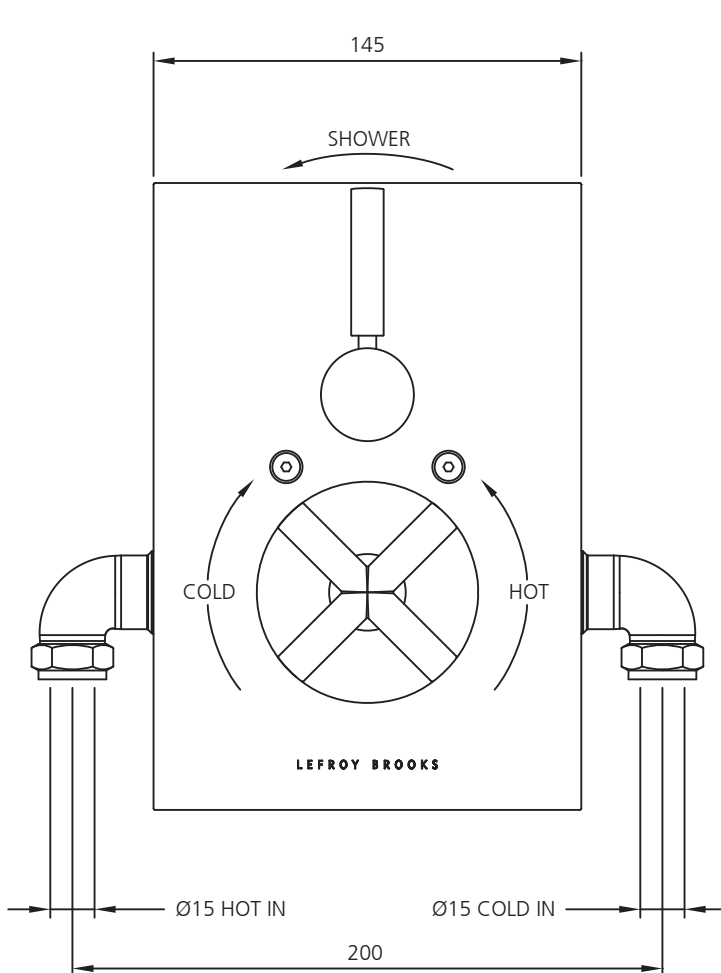
ZU THERMOSTATIC VALVE

DIMENSIONAL DATA SHEET

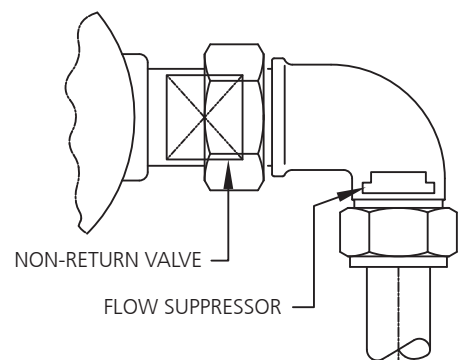
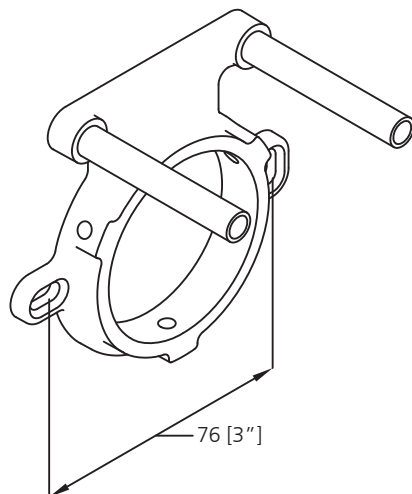
DATE: 9 September 2010

NUMBER: 30 069 5400 A

©COPYRIGHT 2001-2010. CHRISTO LEFROY BROOKS. ALL RIGHTS RESERVED.



NOTE: MAX. PANEL THICKNESS
15MM WITH MIN. CAVITY DEPTH
35MM WITH MAX. PANEL DEPTH

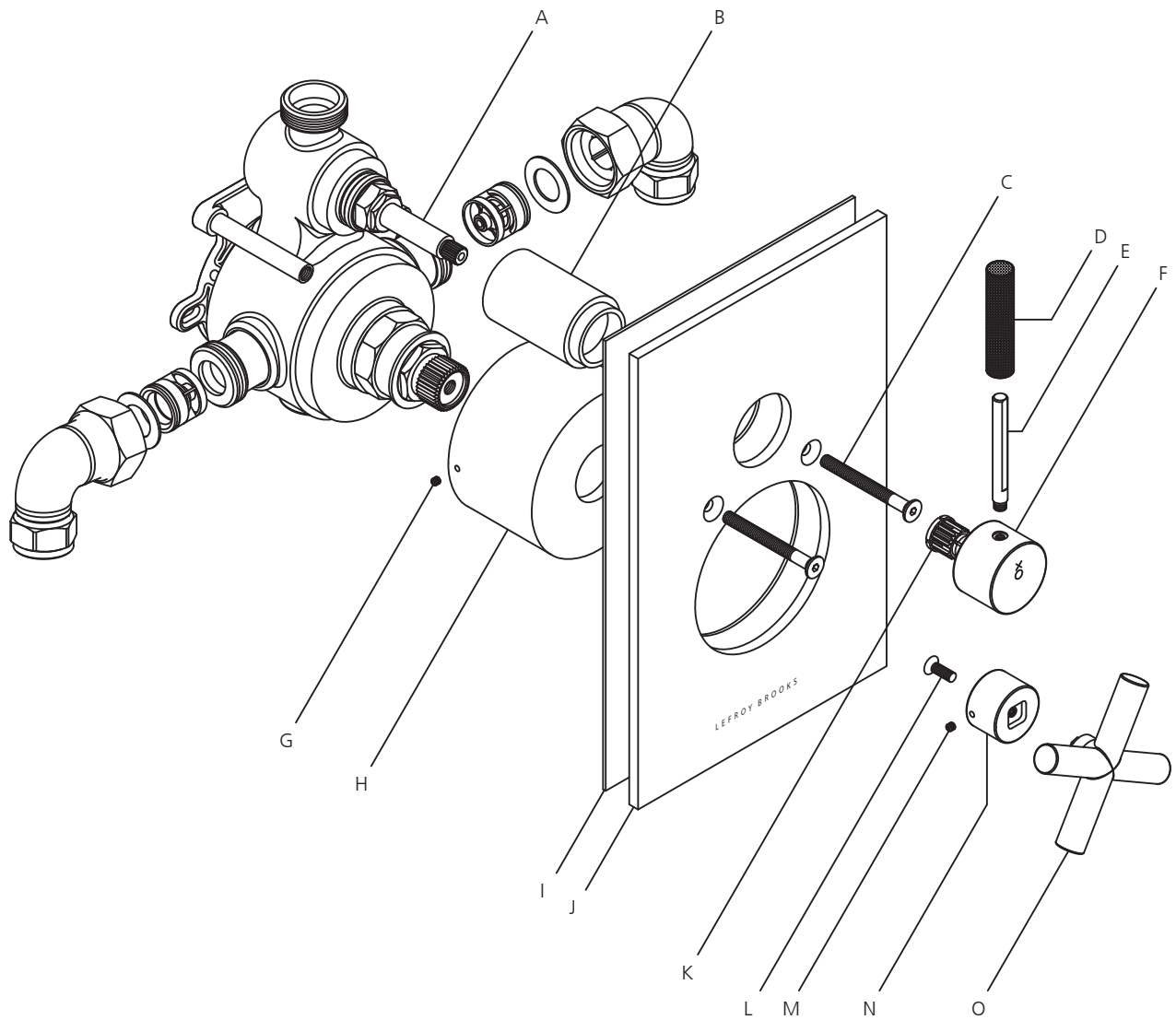


DIMENSIONS IN MILLIMETRES

WHILST EVERY EFFORT IS MADE TO ENSURE THE ACCURACY OF THESE DATA SHEETS THEY ARE SUBJECT TO CHANGE WITHOUT NOTICE AS PART OF THE COMPANY'S PRODUCT DEVELOPMENT PROCESS

XO-5400

ZU THERMOSTATIC VALVE



- A ZU CONCEALED SHOWER ASSEMBLY
- B 30 007 081 - FLOW CONTROL COVER
- C ISO 10642 CSK SOCKET HEAD SCREW - M5 X 30
- D 30 007 003 - LEVER SLEEVE
- E 30 006 001 - LEVER SHAFT
- F 30 505 003 - FLOW CONTROL HEAD
- G ISO 4026 SET SCREW - M3 X 3
- H 30 030 310 - THERMOSTAT COVER
- I 30 048 026 - FACEPLATE GASKET
- J 30 030 300 - FACEPLATE
- K SPLINED NYLON BUSH
- L ISO 10642 CSK SOCKET HEAD SCREW - M4 X 12
- M ISO 4026 SET SCREW - M3 X 3
- N 30 051 063 - COLLAR
- O 30 005 022 - CRUCIFORM CONTROL